

BNC Connector

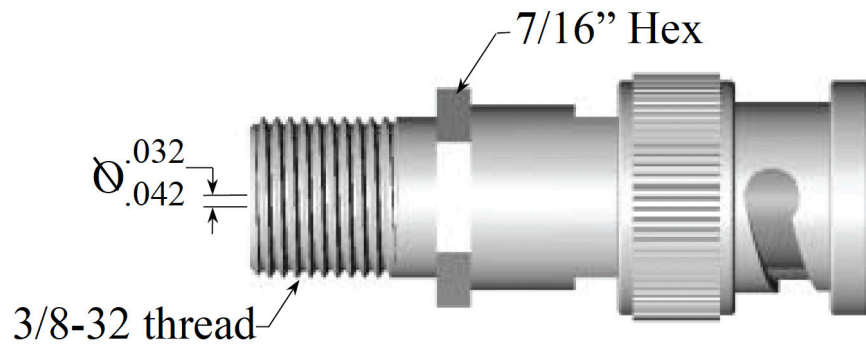
Male to "F" Female



Technical Data

Bandwidth	Impedance	Return Loss	Insertion Loss
0 MHz to 1 GHz	75 Ohms (nominal)	Better than -22 dB to 1 GHz	Less than .10 dB to 1 GHz

Meets or Exceeds all SCTE Specifications



Ordering Information

Part Number	Description
CBNCFMF	BNC Male to "F" Female Connector

r2_08132024